



RC12203



RF1053



RC12204



RF1051



RC12210



RC12211





RC12220



RC12221

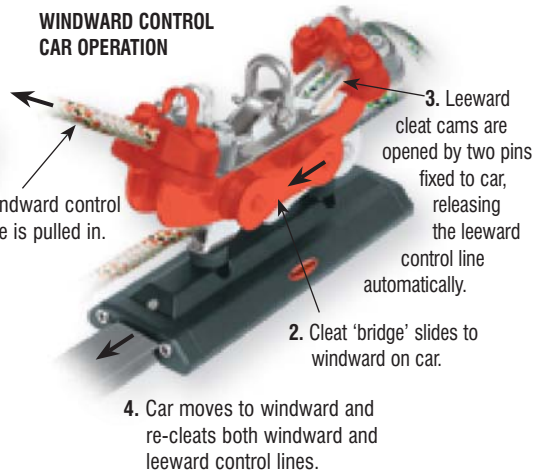
FEATURES

- ▶ Low profile, lightweight alloy cars and end caps.
- ▶ Loop and fork style fittings are easily added for becket and control line block attachment.
- ▶ Compact sheave arrangements for neat, low profile control line purchase systems. Control sheaves are 30mm (1 3/16") diameter and suit up to 6mm (1/4") rope.
- ▶ Twin rows of recirculating Torlon® ball bearings provide smooth, low friction performance for easy adjustment under load.

| PRODUCT No. | DESCRIPTION | LENGTH | | WIDTH | | M.W.L. | | B.L. | | WEIGHT | |
|---|---|--------|-------|-------|----------|--------|--------|------|--------|--------|--------|
| | | mm | (in.) | mm | (in.) | kg | (lb) | kg | (lb) | g | (oz) |
|  Ball Bearing | | | | | | | | | | | |
| RC12203 | Car, pivoting shackle top, 2 mounting screws | 75 | (3) | 58 | (2 5/16) | 500 | (1100) | 1490 | (3280) | 145 | (5.1) |
| RC12204 | Car, pivoting shackle top, 2 mounting screws | 125 | (5) | 58 | (2 5/16) | 880 | (1940) | 2640 | (5820) | 230 | (8.1) |
| RC12210 | Car, saddle top, single control sheaves | 125 | (5) | 58 | (2 5/16) | 880 | (1940) | 2180 | (4810) | 250 | (8.8) |
| RC12211 | Car, saddle top, double control sheaves | 125 | (5) | 58 | (2 5/16) | 880 | (1940) | 2180 | (4810) | 300 | (10.6) |
| RC12220 | Car, saddle top, single control sheaves, 2 cleats | 125 | (5) | 58 | (2 5/16) | 880 | (1940) | 2000 | (4410) | 635 | (22.4) |
| RC12221 | Car, saddle top, single control sheaves, 4 cleats | 125 | (5) | 58 | (2 5/16) | 880 | (1940) | 2000 | (4410) | 655 | (23.1) |
|  Accessories | | | | | | | | | | | |
| RF1051 | Control becket, 8mm (5/16") eye, suits RC12203 & RC12204 | - | - | - | - | - | - | - | - | 6 | (0.2) |
| RF1053 | Control becket fork, 5mm (3/16") pin, suits RC12203 & RC12204 | - | - | 14 | (9/16) | - | - | - | - | 9 | (0.3) |



RC12227



RC12213



RC12223



RF324-1

FEATURES

- ▶ Individual cleat supports can be adjusted to optimum cleating angle.
- ▶ RC12227 windward control car automatically releases leeward traveller control line when pulling car to windward, then re-cleats for easy control through tacks. Control line sheaves suit 4:1 or 5:1 purchase system.

- ▶ Stand-up spring kit RF324-1 is available to suit mainsheet cars RC12213, RC12223. Combine with a mainsheet system RF72700 or RF72900 for ultimate mainsheet control.

APPLICATIONS

- ▶ Mainsheet systems on boats to 10m (33 ft).

MATERIALS

- ▶ Alloy track, car bodies and end caps.
- ▶ Torklon® ball bearings in cars and control sheaves.
- ▶ Acetal sheaves (all purpose), alloy ball bearing sheaves.
- ▶ Grade 316 stainless steel fixtures.

| PRODUCT No. | DESCRIPTION | LENGTH | | WIDTH | | M.W.L. | | B.L. | | WEIGHT | |
|---------------------|--|--------|----------|-------|----------|--------|--------|------|--------|--------|--------|
| | | mm | (in.) | mm | (in.) | kg | (lb) | kg | (lb) | g | (oz) |
| Ball Bearing | | | | | | | | | | | |
| RC12213 | Car, pivoting shackle top, double control sheaves | 180 | (7 1/16) | 58 | (2 5/16) | 880 | (1940) | 2180 | (4810) | 520 | (18.3) |
| RC12223 | Car, pivoting shackle top, double control sheaves, adjustable cleats | 180 | (7 1/16) | 58 | (2 5/16) | 880 | (1940) | 2180 | (4810) | 930 | (32.8) |
| RC12227 | Windward control car, pivoting top, triple control sheaves & cleats | 175 | (6 7/8) | 58 | (2 5/16) | 880 | (1940) | 2180 | (4810) | 1056 | (37.2) |
| Accessories | | | | | | | | | | | |
| RF324-1 | Stand up spring kit, suits RC12213, RC12223 | - | - | - | - | - | - | - | - | 60 | (2.1) |



FEATURES

- ▶ Ball bearing cars have twin rows of recirculating Torlon® ball bearings for smooth adjustment under load.
- ▶ Sliderod cars are a simple option for a sheet lead that does not require adjustment under load. Plunger stop can be locked in the "up" position.
- ▶ Genoa car sheaves are of either 50mm (2") or 60mm (2 3/8") diameter. They are wide enough to accept two sheets for easy headsail changes.
- ▶ Roller ball bearing sheave upgrade suits both ball bearing and Sliderod cars with 60mm (2 3/8") sheaves.
- ▶ Extra purchase for lead adjustment systems can easily be added by fitting becket or block addition kits (supplied with mounting screws).
- ▶ RC52239 sheet deflector pivots to 45 degrees from vertical, and is bolted to aft end of track to lead sheet to a winch mounted on a cockpit coaming or above the track level.

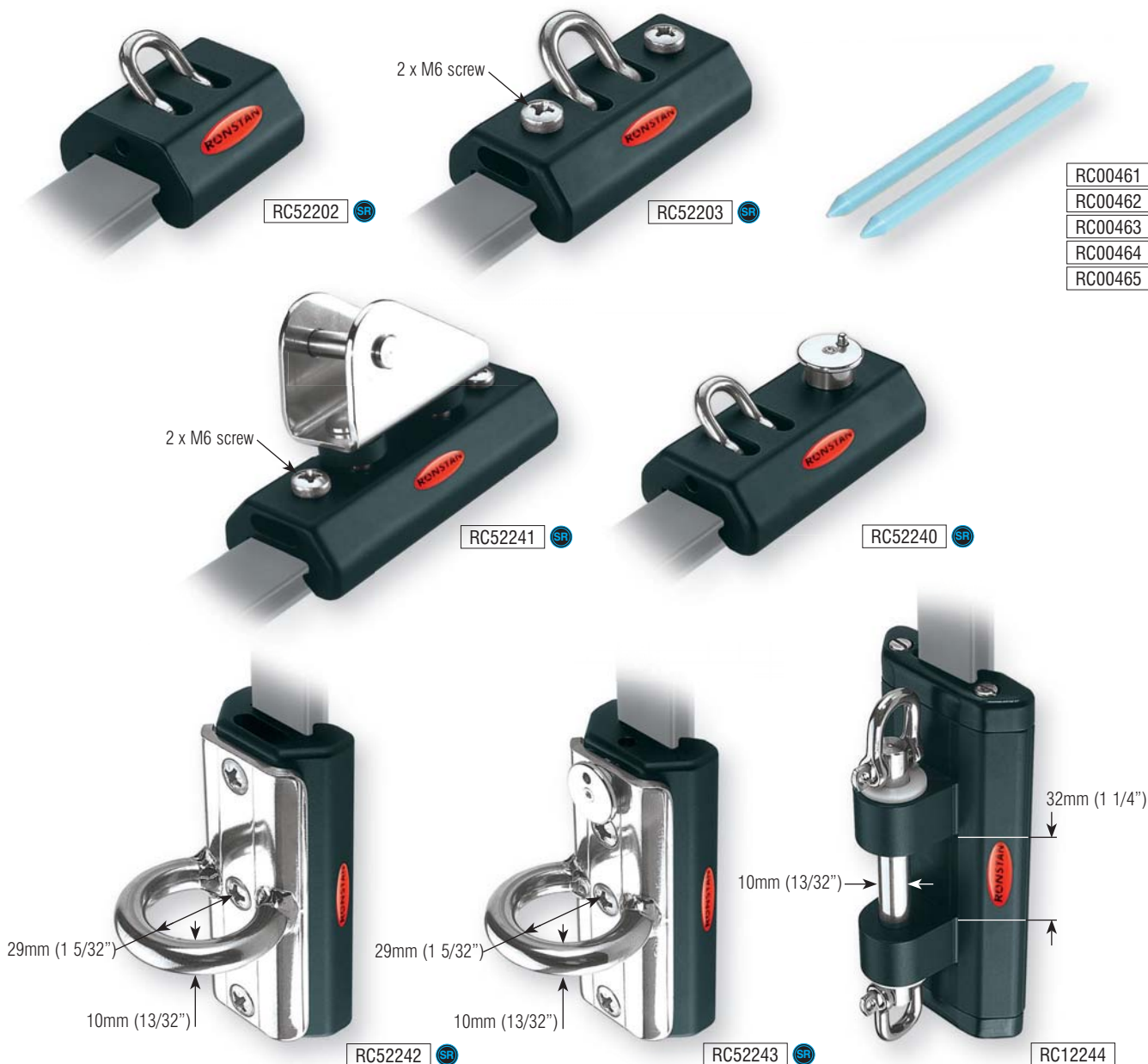
APPLICATIONS

- ▶ Genoa sheet systems on boats to 11m (36ft).

MATERIALS

- ▶ Alloy track, car bodies and end caps.
- ▶ Torlon® ball bearings in cars and control sheaves.
- ▶ Acetal primary sheaves (genoa cars)
- ▶ Alloy control sheaves and primary sheave upgrade.
- ▶ Grade 316 stainless steel fixtures.

| PRODUCT No. | DESCRIPTION | LENGTH | | WIDTH | | M.W.L. | | B.L. | | WEIGHT | |
|------------------------|---|--------|----------|-------|----------|--------|--------|------|--------|--------|--------|
| | | mm | (in.) | mm | (in.) | kg | (lb) | kg | (lb) | g | (oz) |
| BB Ball Bearing | | | | | | | | | | | |
| RC12230 | Genoa car, control becket | 130 | (5 1/8) | 58 | (2 5/16) | 880 | (1940) | 2410 | (5310) | 389 | (13.7) |
| RC12231 | Genoa car, single control sheave | 165 | (6 1/2) | 58 | (2 5/16) | 990 | (2180) | 2300 | (5070) | 570 | (20.1) |
| SR Sliderod | | | | | | | | | | | |
| RC52230 | Genoa car, sliderods, plunger stop | 125 | (5) | 45 | (1 3/4) | 1205 | (2660) | 2410 | (5310) | 520 | (18.3) |
| RC52231 | Genoa car, sliderods, internal control becket & becket return | 125 | (5) | 45 | (1 3/4) | 1205 | (2660) | 2410 | (5310) | 499 | (17.6) |
| Accessories | | | | | | | | | | | |
| RC00411 | Control sheave addition kit, suits RC12231 | 65 | (2 9/16) | 40 | (1 9/16) | 240 | (530) | 900 | (1980) | 47 | (1.7) |
| RC00412 | Control becket, 8mm (5/16") eye, 2 x M6 screws, suits RC12203 & RC12204 | - | - | - | - | - | - | - | - | 6 | (0.2) |
| RC52239 | End stop sheet deflector | 95 | (3 3/4) | 45 | (1 3/4) | 860 | (1900) | 2000 | (4410) | 330 | (11.6) |
| RF68000W | Sheave RB, aluminium, diameter 60mm (2 3/8"), suits RC12231, RC52230, RC52231 | - | - | 33 | (1 5/16) | 1150 | (2540) | - | - | 128 | (4.5) |



- RC00461
- RC00462
- RC00463
- RC00464
- RC00465

FEATURES

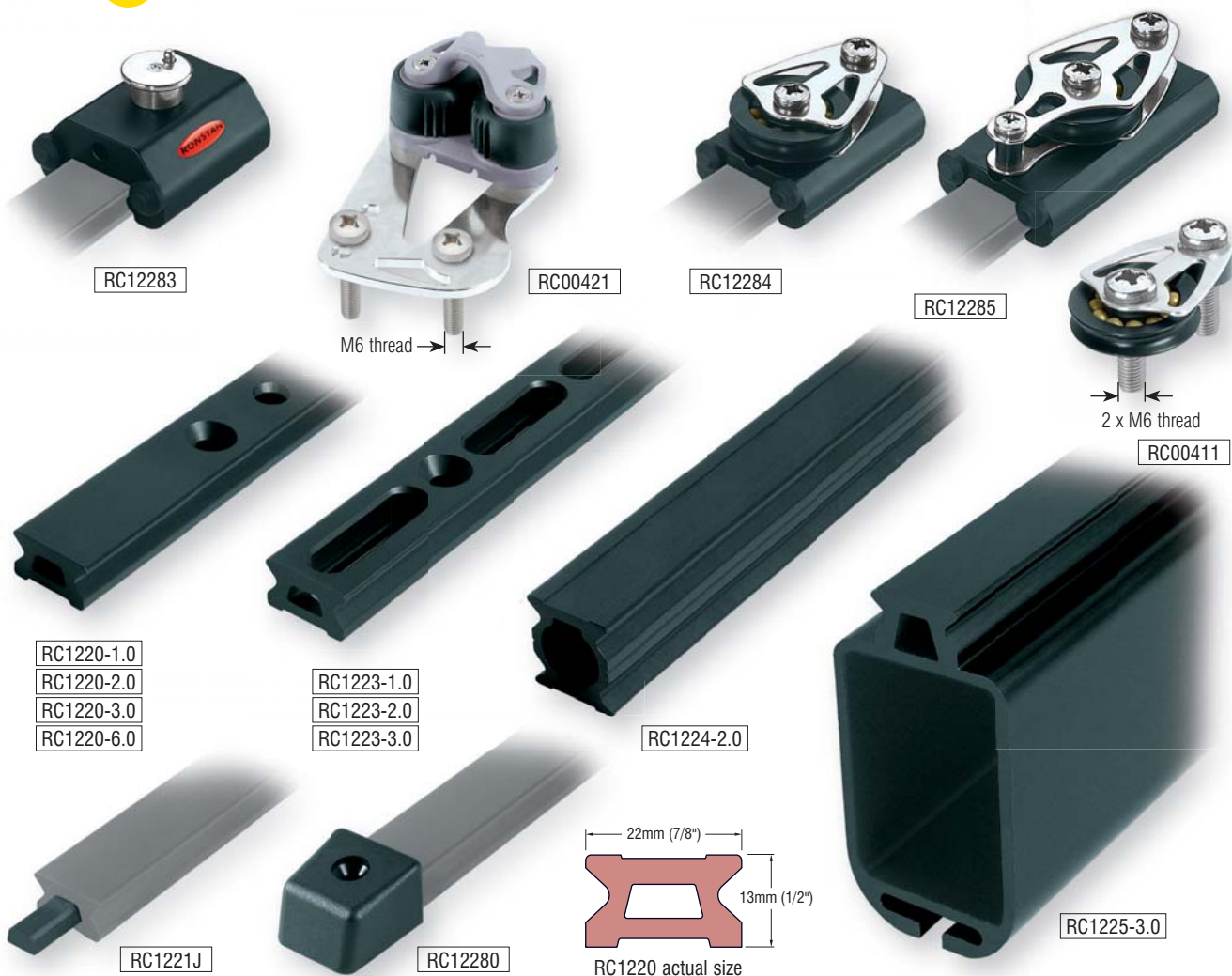
- ▶ Sliderod cars with pivoting shackles suit a variety of applications where a secure, adjustable take-off point for a block or control line is required. Plunger stops can be locked in the "up" position.

- ▶ Sliderod spinnaker pole cars suit poles set up for end-for-end jibes. Adjustment is by plunger stop, or by control line secured within the milled slot at the end of the car (RC52242).
- ▶ Ball bearing spinnaker pole car suits piston style inboard end fittings with 32mm toggle.

APPLICATIONS

- ▶ Spinnaker pole systems on boats to 10m (33 ft).
- ▶ Outhaul car for boats to 8m (26 ft).

| PRODUCT No. | DESCRIPTION | LENGTH | | WIDTH | | M.W.L. | | B.L. | | WEIGHT | |
|---------------------|--|--------|-----------|-------|----------|--------|--------|------|--------|--------|--------|
| | | mm | (in.) | mm | (in.) | kg | (lb) | kg | (lb) | g | (oz) |
| Ball Bearing | | | | | | | | | | | |
| RC12244 | Spinnaker pole car, suits toggle | 130 | (5 1/8) | 58 | (2 5/16) | 1350 | (2980) | 2700 | (5950) | 308 | (10.9) |
| Sliderod | | | | | | | | | | | |
| RC00461 | Sliderods, suits 48mm car (pair) | 37 | (1 7/16) | 6.4 | (1/4) | - | - | - | - | 4 | (0.1) |
| RC00462 | Sliderods, suits 85mm car (pair) | 74 | (2 15/16) | 6.4 | (1/4) | - | - | - | - | 8 | (0.3) |
| RC00463 | Sliderods, suits 115mm car (pair) | 104 | (4 1/8) | 6.4 | (1/4) | - | - | - | - | 11 | (0.4) |
| RC00464 | Sliderods, suits 105mm car (pair) | 94 | (3 11/16) | 6.4 | (1/4) | - | - | - | - | 10 | (0.4) |
| RC00465 | Sliderods, suits 125mm car (pair) | 114 | (4 1/2) | 6.4 | (1/4) | - | - | - | - | 12 | (0.4) |
| RC52202 | Car, sliderods, pivoting shackle top | 48 | (1 7/8) | 45 | (1 3/4) | 600 | (1320) | 1490 | (3280) | 95 | (3.4) |
| RC52203 | Car, sliderods, pivoting shackle top, internal control beackets | 85 | (3 3/8) | 45 | (1 3/4) | 1000 | (2200) | 2690 | (5930) | 166 | (5.9) |
| RC52240 | Car, sliderods, pivoting shackle top & plunger stop | 85 | (3 3/8) | 45 | (1 3/4) | 975 | (2150) | 1940 | (4280) | 177 | (6.2) |
| RC52241 | Outhaul car, sliderods, 8mm (5/16") pin, internal control beackets | 115 | (4 1/2) | 45 | (1 3/4) | 1205 | (2660) | 2410 | (5310) | 347 | (12.2) |
| RC52242 | Spinnaker pole car, sliderods, ring, internal control beackets | 105 | (4 1/8) | 45 | (1 3/4) | 1300 | (2870) | 2800 | (6170) | 385 | (13.6) |
| RC52243 | Spinnaker pole car, sliderods, ring, plunger stop | 105 | (4 1/8) | 45 | (1 3/4) | 1300 | (2870) | 2500 | (5510) | 410 | (14.5) |



FEATURES

- ▶ Adjustable stops can be fitted on track aft of genoa cars and used to relieve load on adjustment tackle.
- ▶ Control ends with high performance Torton® ball bearing alloy sheaves are used with mainsheet traveller and genoa sheeting systems to create purchase systems for easy adjustment of car position under load.
- ▶ Control end sheaves are 40mm (1 9/16") diameter and suit up to 8mm (5/16") rope.
- ▶ Cleat kits include mounting screws and are easily fitted to control ends – supports can be adjusted to optimum cleating angle.
- ▶ High profile and beam track can be used for unsupported spans to bridge cockpits and companionway hatches.

- ▶ Light weight track has milled slots between mounting holes, achieving significant weight reduction.
- ▶ Standard low profile track has stop holes for cars fitted with plunger stops.

APPLICATIONS

- ▶ Mainsheet systems on boats to 10m (33 ft).
- ▶ Genoa sheet systems on boats to 11m (36 ft).

▶ **TRACK FASTENINGS** – 6mm (1/4") countersunk fasteners at 100mm (3 15/16") centres

▶ **STOP HOLES** – 50mm (1 31/32") centres

| PRODUCT No. | DESCRIPTION | LENGTH | | WIDTH | | M.W.L. | | B.L. | | WEIGHT | |
|-------------|--|--------|-----------|-------|----------|--------|-------|------|--------|--------|---------|
| | | mm | (in.) | mm | (in.) | kg | (lb) | kg | (lb) | g | (oz) |
| RC00411 | Control sheave addition kit, suits RC12284, RC12285 | 65 | (2 9/16) | 40 | (1 9/16) | 240 | (530) | 900 | (1980) | 47 | (1.7) |
| RC00421 | Control end cleat addition kit, suits RC12284, RC12285 | - | - | - | - | - | - | - | - | 207 | (7.3) |
| RC1220-1.0* | Track, black | 996 | (39 1/4) | 22 | (7/8) | - | - | - | - | 460 | (16.2) |
| RC1220-2.0* | Track, black | 1996 | (78 5/8) | 22 | (7/8) | - | - | - | - | 920 | (32.4) |
| RC1220-3.0* | Track, black | 2996 | (118) | 22 | (7/8) | - | - | - | - | 1380 | (48.7) |
| RC1220-6.0* | Track, black | 5996 | (236 1/4) | 22 | (7/8) | - | - | - | - | 2760 | (97.3) |
| RC1221J | Track joiner | 60 | (2 3/8) | - | - | - | - | - | - | 4 | (0.1) |
| RC1223-1.0 | Light weight track, black | 996 | (39 1/4) | 22 | (7/8) | - | - | - | - | 388 | (13.7) |
| RC1223-2.0 | Light weight track, black | 1996 | (78 5/8) | 22 | (7/8) | - | - | - | - | 765 | (27.0) |
| RC1223-3.0 | Light weight track, black | 2996 | (118) | 22 | (7/8) | - | - | - | - | 1138 | (40.1) |
| RC1224-2.0 | High profile track, black | 1996 | (78 5/8) | 22 | (7/8) | - | - | - | - | 1360 | (48.0) |
| RC1225-3.0 | Beam track, black | 2996 | (118) | 85 | (3 3/8) | - | - | - | - | 6240 | (220.1) |
| RC12280 | End cap, plastic | 30 | (1 3/16) | 26 | (1) | - | - | - | - | 6 | (0.2) |
| RC12283 | Adjustable stop | 60 | (2 3/8) | 45 | (1 3/4) | - | - | - | - | 104 | (3.7) |
| RC12284 | Control end, single sheave | 75 | (3) | 45 | (1 3/4) | 240 | (530) | 900 | (1980) | 140 | (4.9) |
| RC12285 | Control end, single sheave & becket | 96 | (3 25/32) | 45 | (1 3/4) | 320 | (710) | 900 | (1980) | 168 | (5.9) |

* Silver track available - Order as RCxxxxxS